



Learn More About
Key Cup AD Employee Drug Testing Kits



www.DrugTestingAce.com

www.EDTAce.com

EZ Split Key Cup Drug Screen

Product Benefits

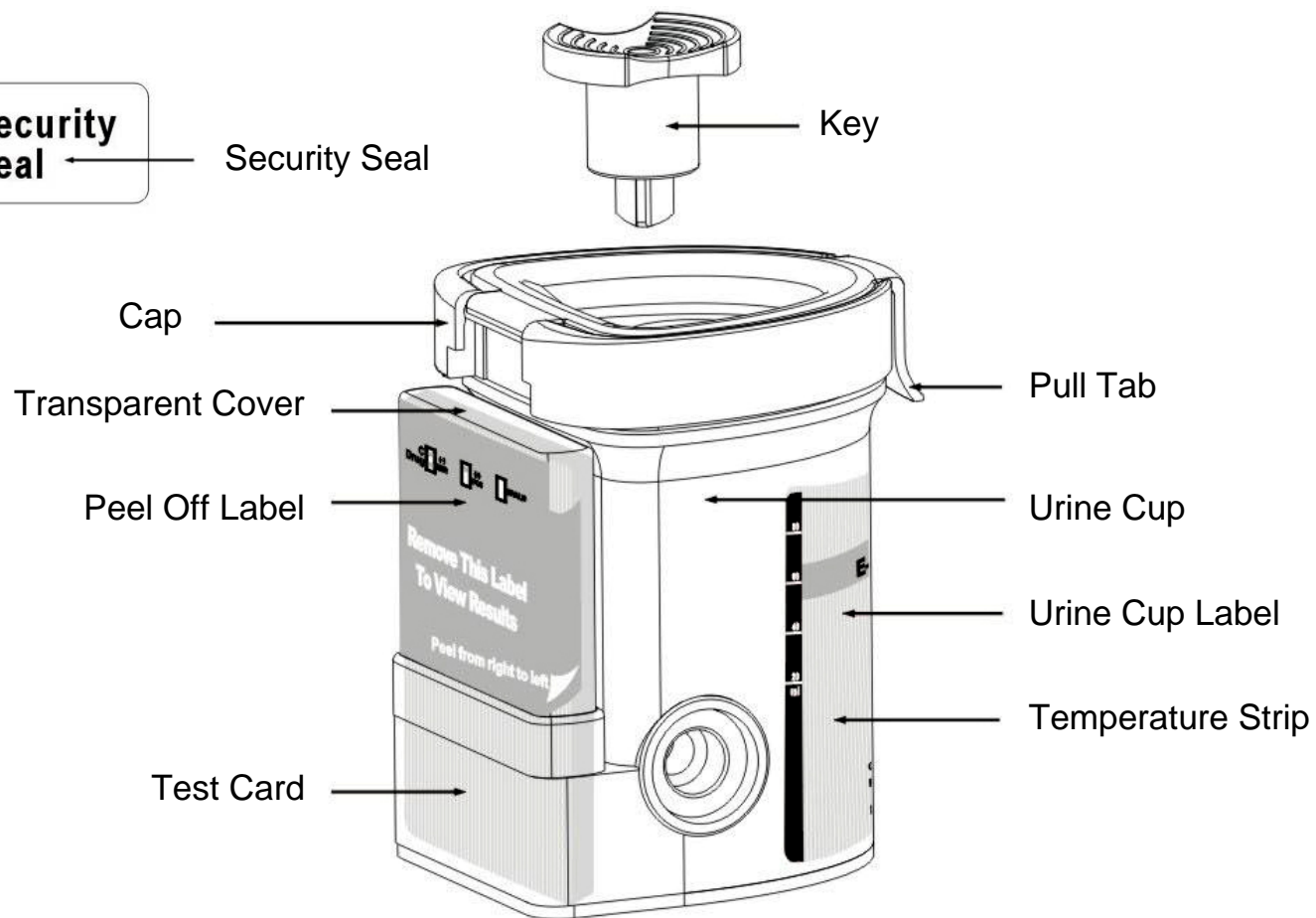
- Secure “Key” Activation
- 3-12 Drug Configurations
- Zero Exposure
- New Lid Design



The EZ Split Key Cup Drug Screen is only a preliminary screen and all positive screens must be confirmed using more definitive form of testing such as GC/MS (Gas Chromatography / Mass Spectrometry). Confirmation programs are available upon request.

Description of Items

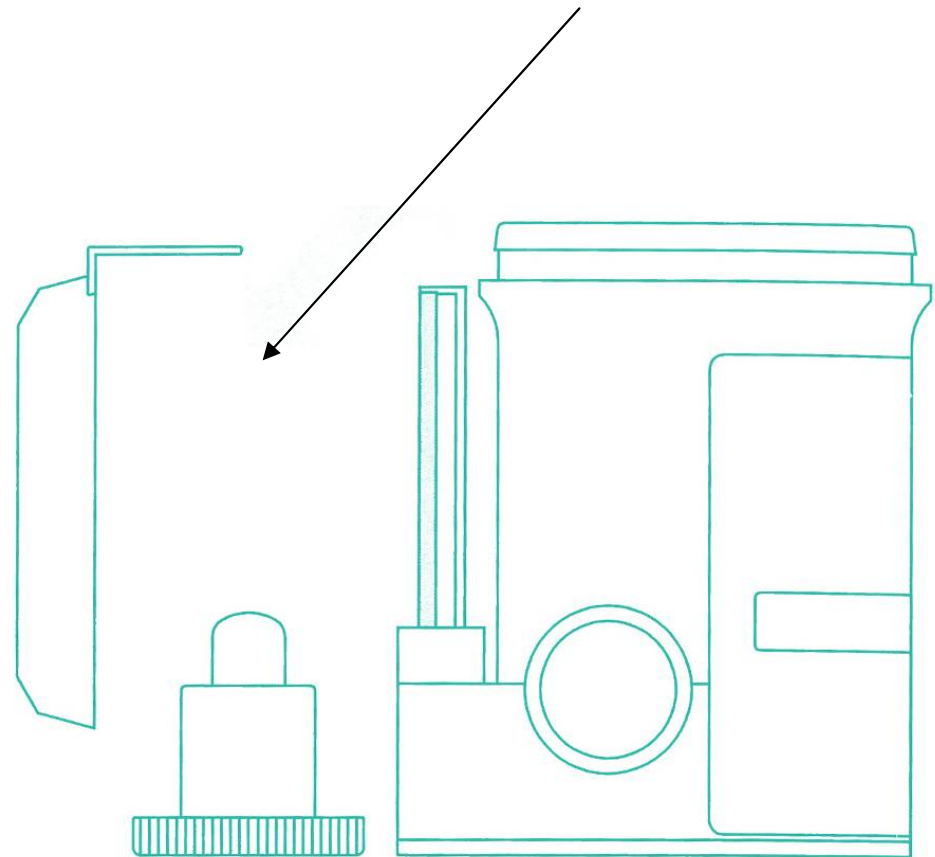
Date _____ Initials _____ **Security Seal**



Procedure

Step 1

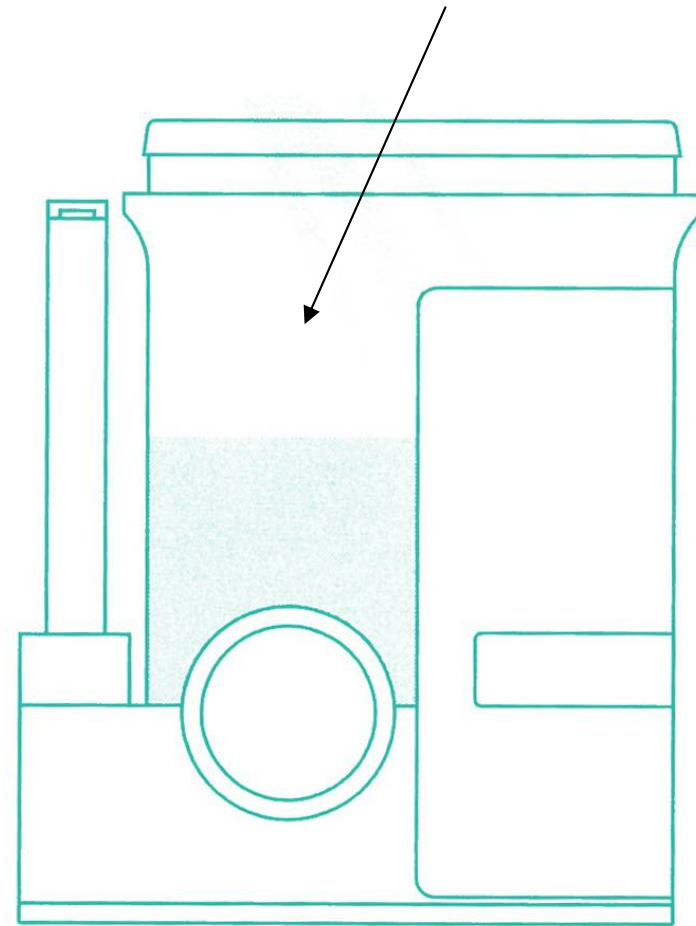
Remove the key by twisting it from the center of the cap. Open cap with the Pull Tab.(Key is held by technician.)



Procedure

Step 2

Donor provides specimen and secures cap. Note: Secure cap by pressing down on the Pull Tab until an audible click is heard.



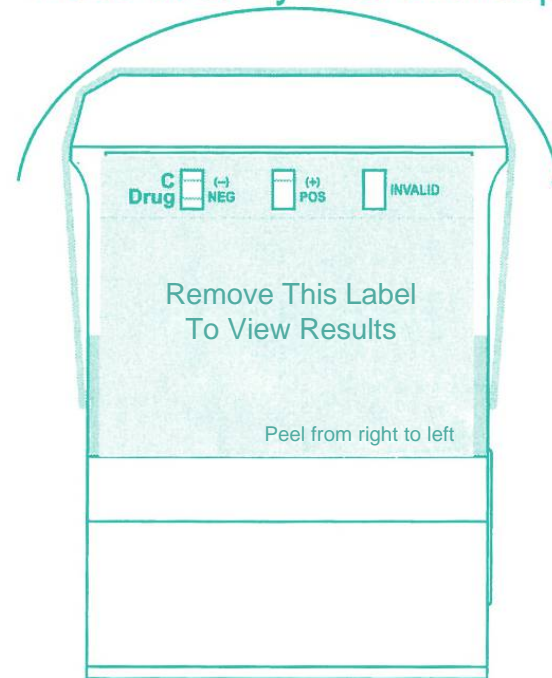
Procedure

Step 3

Check cap for tight seal. Technician dates and initials the security seal and places security seal over cap.



Place security seal over cup

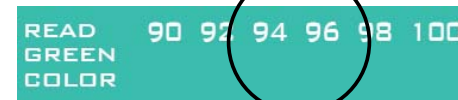


Procedure

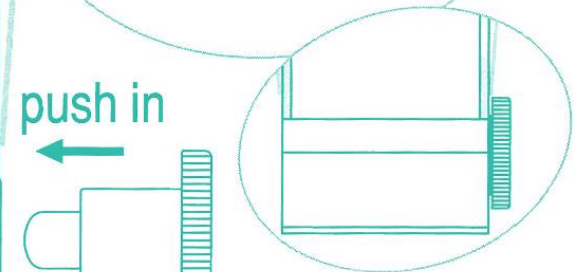
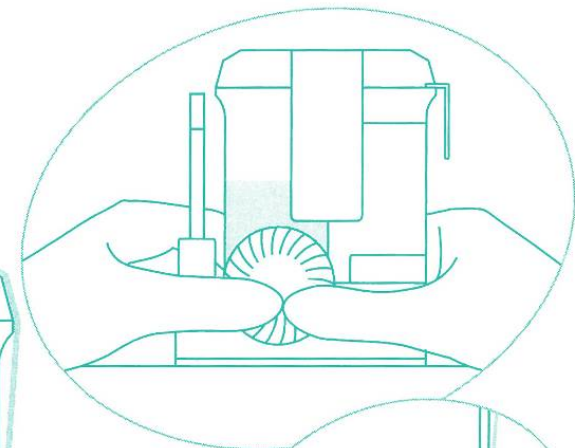
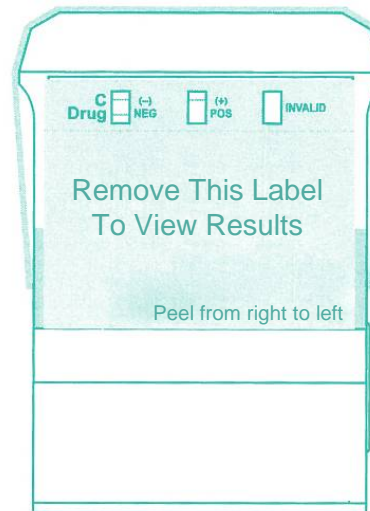
Step 4

Check temperature strip for adequate range.

On a flat surface, technician inserts key and pushes in.



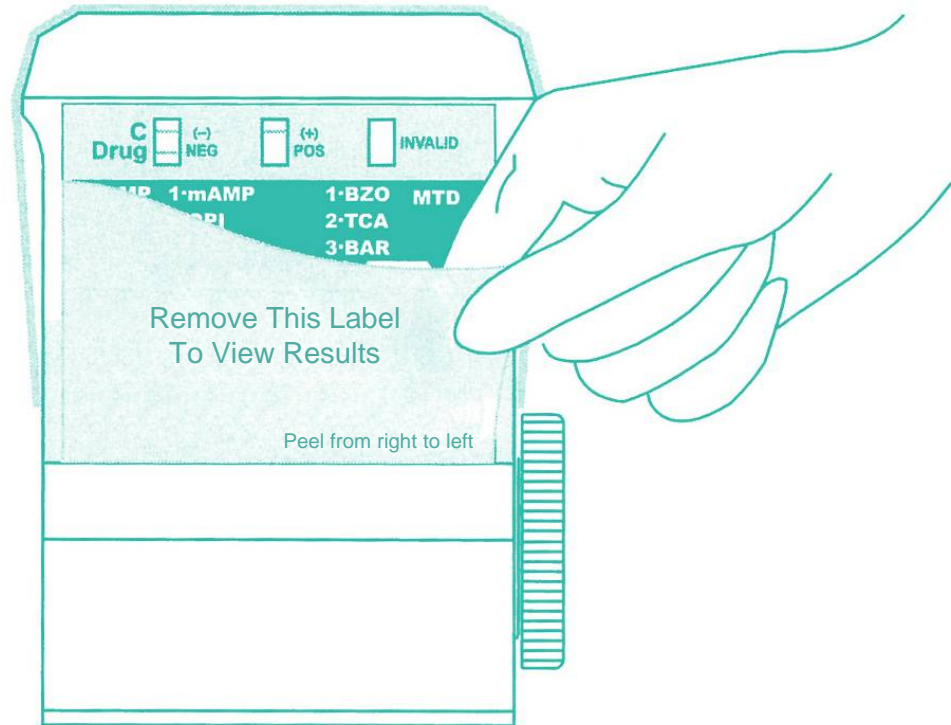
← Temperature Strip



Procedure

Step 5

Peel off the label to view results.



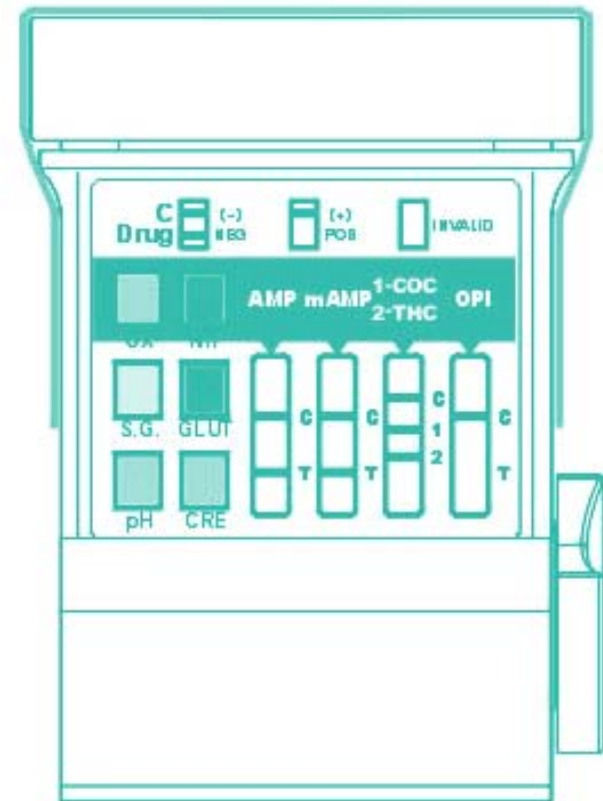
Procedure

Step 6

If the test cup includes S.V.T., read adulteration test results between 3 - 5 minutes.



3 - 5
Minutes



 Adulteration Strips

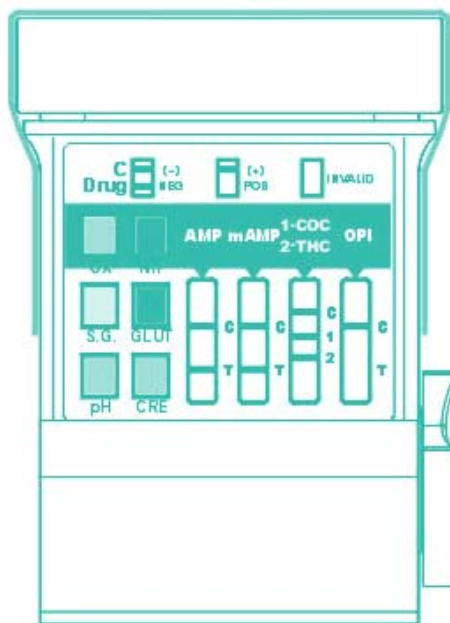
See color chart and package insert for interpretation.

Procedure

Step 7

Read drug test results at 5 minutes.

Example: Test shows positive for OPI.



Read results at 5 minutes.

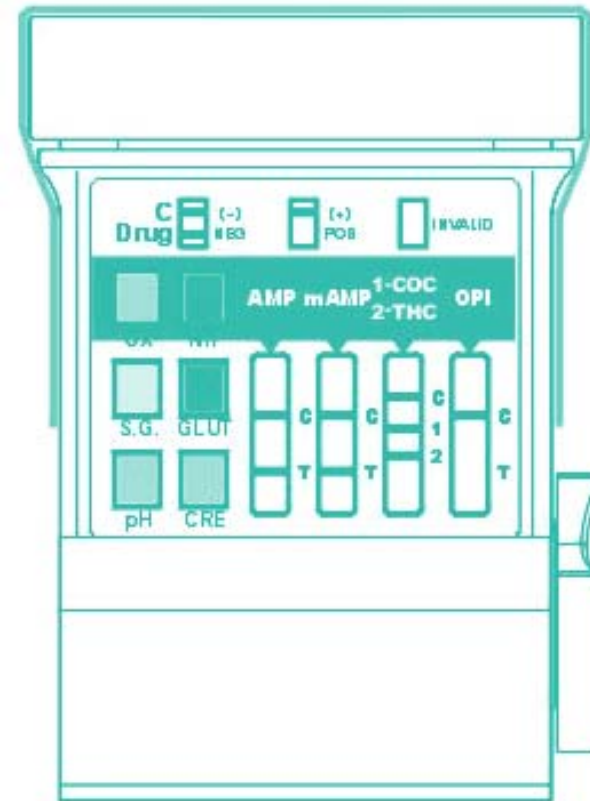


All positive results are presumptive and should be confirmed by an alternative method. (e.g. GC/MS)

Procedure

Step 8

A photocopy of the drug test results can be made by placing the entire cup with the card face down on the copier.





Brought to You by Employee Drug Testing Ace

Buying discounted, accurate, high quality employment drug testing kits and services is affordable, fast, easy, safe and secure with **Employee Drug Testing Ace**. You can buy employment, pre-employment and employee drug and alcohol testing kits, services and supplies tailored for employers, TPAs, nursing homes, hospitals, manufacturing, moving companies, Department of Transportation DOT, local and Federal Government agencies, auto dealerships, construction, DOD, the work place, employment agencies and more.

Our easy to use [employee drug testing](#) kits are DOT Approved, CLIA Waived, FDA 510k Cleared and SAMHSA Compliant. We provide both onsite employment drug screening and offsite employee drug screening services along with SAMHSA certified confirmation and medical review officer (MRO) services. All [employment drug screening](#) kits are on sale, discounted, and have [bulk / volume discounts](#).

- **Pay No Taxes in the USA.**, except California.
- **100% Free UPS Standard Shipping** in the Continental U.S.A. for *All* Products.
- **100% Free FedEx Overnight Shipping** in the Continental U.S.A. for *All* Specimens sent in as part of our SAMHSA Certified Confirmation Drug Testing Service.
- Onsite Third Party Administered (TPA) Employee Drug and Alcohol Collection Services.
- Over 12,000 Offsite Employee Drug and Alcohol Testing Locations Nationwide.
- The most complete [Employment Drug Testing Resource Center](#) including: information, official documents, work place drug testing information, forms, work accident info, charts, videos, post accident drug testing info, training materials, contact lists, definitions and more!

We sell affordable and guaranteed [employee drug screening](#) kits and services available at the best prices. Our prices may be cheap but our drug testing kits are of the highest quality and accuracy. If you are in the market for discounted high quality pre-employment, employee, or [employment drug testing](#) and screening kits and services, visit us today. You will be happy you did!